

SENSORS

Inductive Proximity Switch



Feature

- Rectangle shape with only 11 mm width
- DC 3-wire (10-30V DC)
- Plastic case for general automation industry

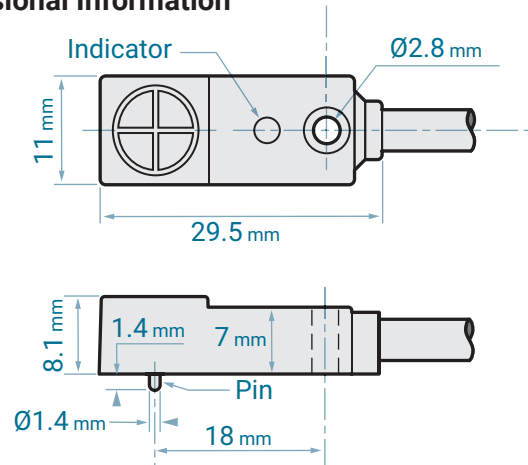
Applications

- Home sensor or position sensor on select PBC Linear actuators

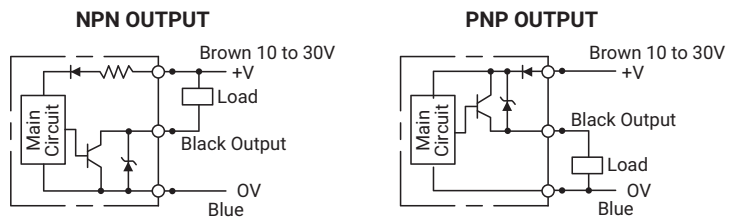
Specifications

Sensor Model	6200418	6200682	6200699
Detecting Distance	4 mm		
Sensing Direction	Flat Pack		
Connection	Cable Type (DC 3 Cores Dia. 4 mm)		
Supply Voltage	10-30VDC		
Output Mode	NPN		PNP
Output Type	Normal Open	Normal Closed	Normal Open
Output Current (MAX)	200mA		
Current Consumption	8mA		
Leakage Current	< 0.1mA		
Residual Voltage	< 1.5VDC		
Response Frequency	500 Hz		
Reverse Polarity Protection	Standard		
Short Circuit Protection	Not Available		
Hysteresis	10%		
Ambient Temp/Humidity	-25°C to 55°C / 25% to 90% RH		
IP Protection Category	IP67		
Size (L/W/H)	L/W/H 30/11/8 mm		

Dimensional Information

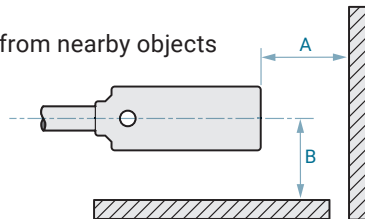


Output Circuit & Wiring



Attention

- Keep sufficient distance from nearby objects
- Do not confuse the wire connections as wrong connections may damage product



- Do not use in the presence of flammable or volatile gas
- Proximity switch may malfunction if used near cellular phones or other transceivers

Visit pbclinear.com for Product Information and 2D/3D CAD Downloads

Call **1-800-962-8979** for Technical and Application Information

The data and specifications in this publication have been carefully compiled and are believed to be accurate and correct. However, it is the responsibility of the user to determine and ensure the suitability of PBC Linear® products for a specific application. PBC Linear only obligation will be to repair or replace without charge, any defective components if returned promptly. No liability is assumed beyond such replacement. Specifications are subject to change without notice. LITSENSOR-001 r1 (05-2020)



6402 E. Rockton Rd. Roscoe, Illinois 61073 USA
+1.815.389.5600 • Fax: +1.815.389.5790