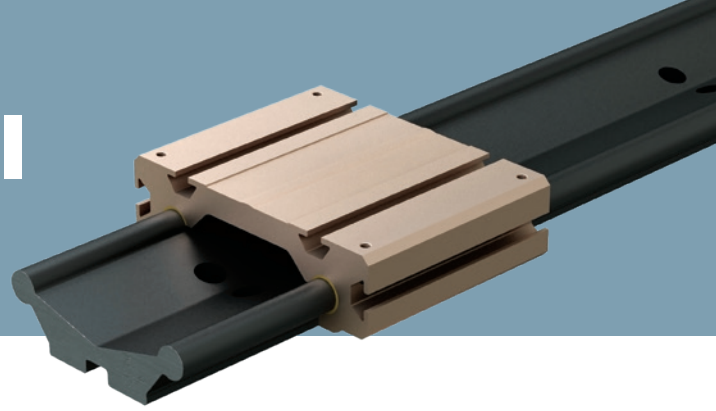


Reduce Your Install Time & Cost . . .



Components

VS

Engineered Sub-assembly

Installation Steps*

- 1) Drill/Tap machine holes along profile rail for installation
- 2) Clean/Align rail with reference surface to begin alignment process
- 3) Loosely secure profile rail to machining surface
- 4) Secure side plates to push profile rails against reference edges
- 5) Tighten fasteners while continuously checking straightness and alignment
- 6) Repeat processes 1-4 for second profile rail, but also check for parallelism
- 7) Install (4) runner-block sliders (2 per rail).
- 8) Align runner blocks to corresponding mate (check for parallelism)
- 9) Install carriage plate onto carriages, check alignment
- 10) Attach carriage plate to carriage with fasteners

Bill of Material

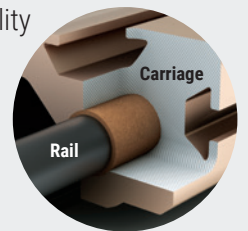
QTY	DESCRIPTION	COST
56	Fasteners	\$28.00
2	15 mm - Rails	\$99.75
4	15 mm - Carriages	\$226.80
1	Carriage Plate	\$10.00
2 hours 10 mins of labor to assemble @ \$35.00/hr		\$75.83

Installation Steps*

- 1) Drill/tap holes along rail to machine to surface
- 2) Mount Uni-guide to application

Advantages

- Two-piece assembly – lightweight and eliminates tolerance stack
- Vast design options and versatility
- Self-lubricating Frelon Gold® provides low wear, low friction, and high strength
- Lengths up to 10 feet
- Ease of mounting – carriage t-slots and pre-drilled mounting holes
- Easy drop in unit – no alignment needed



Frelon Gold® Liner
Compound for improved performance

Bill of Material

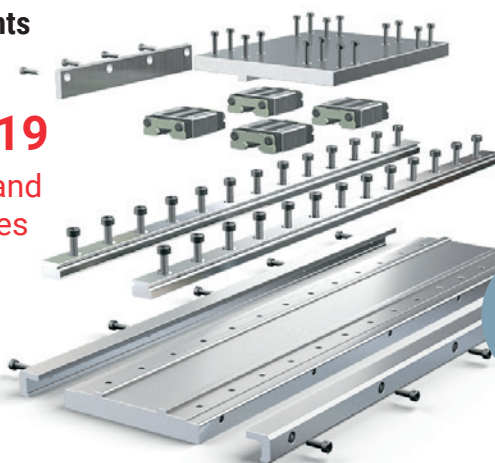
QTY	DESCRIPTION	COST
16	Fasteners	\$8.00
1	1 meter - D75 Uni-Guide	\$237.24
30 minutes of labor to assemble @ \$35.00/hr		\$17.50
Total Project Costs		\$262.74

40% COST SAVINGS

Components

\$430.19

2 Hours and 10 minutes to install

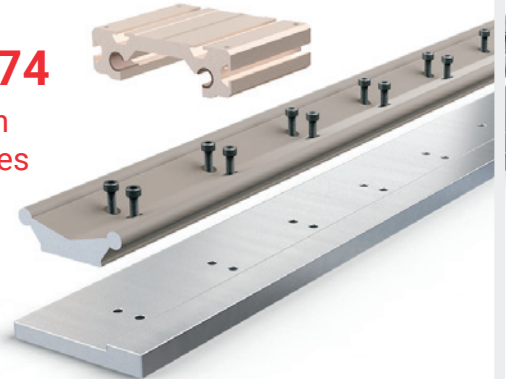


VS

Engineered Sub-assembly

\$262.74

Less than 30 minutes to install



*Benchmark Application Requirements: 150lbs of load, 1 meter travel.

Learn more about our solutions at pbclinear.com or call 1-800-962-8979
6402 E. Rockton Road • Roscoe, IL 61073 USA

The data and specifications in this publication have been carefully compiled and are believed to be accurate and correct. However, it is the responsibility of the user to determine and ensure the suitability of PBC Linear® products for a specific application. PBC Linear® only obligation will be to repair or replace without charge, any defective components if returned promptly. No liability is assumed beyond such replacement. Specifications are subject to change without notice. LITGST-006 rev0423

PBC Linear