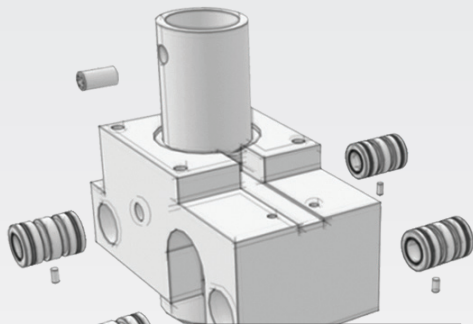


Integrated Solution.

PROBLEM



11
COMPONENTS

COMPONENT SOLUTION	
1	Machined Block
1	Bronze Bushing
4	Bearings
5	Set Screws
!	Complex Machined Parts

Application:

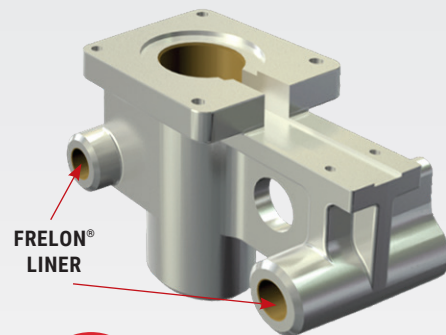
A manufacturer of precision engraving equipment developed a new design with targets for simplified assembly and dramatically reduced costs.

Initial Design Problems:

- Numerous Parts
- Multiple Complex Machining Operations
- Complex Assembly
- Several Vendors

VS.

SOLUTION



1
COMPONENT

Engineered Solution
From PBC Linear

Design Efficiency

- One-piece, multi-axis casting
- Proprietary Frelon® bonded liner – allows for high load capacity, low wear and no maintenance
- Significantly Reduced Part Count
- Collaborative Engineered Design
- Reduced Assembly Time

**Plus 40%
Cost Savings**

- Improve Life & Reliability
- Enhanced Performance
- Faster Time to Market
- Lower Overall Costs
- Reduce Risks
- Streamline Assembly

Learn more about our DOD solutions at pbclinear.com or call 1-800-962-8979
6402 E. Rockton Road • Roscoe, IL 61073 USA

The data and specifications in this publication have been carefully compiled and are believed to be accurate and correct. However, it is the responsibility of the user to determine and ensure the suitability of PBC Linear™ products for a specific application. PBC Linear™ only obligation will be to repair or replace without charge, any defective components if returned promptly. No liability is assumed beyond such replacement. Specifications are subject to change without notice. LTRST-004 v2.040423



PBC Linear