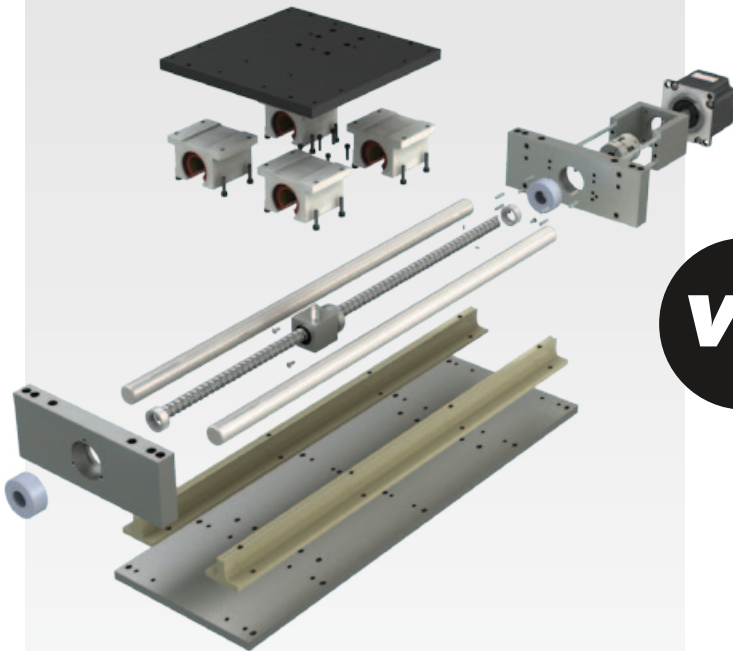


Engineered Solution.



PROBLEM

21
COMPONENTS
PLUS FASTENERS

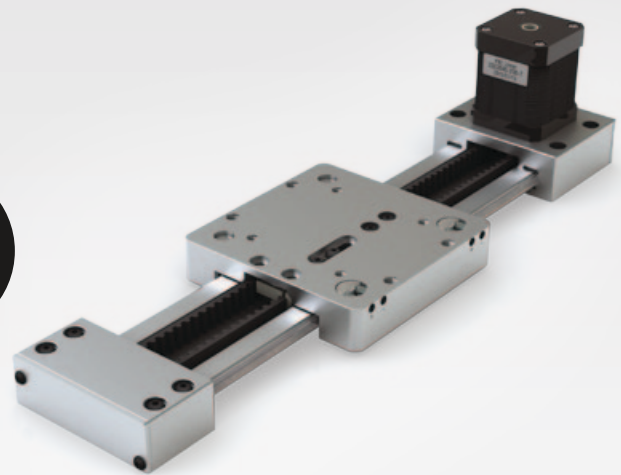


vs.

SOLUTION

1

ENGINEERED SOLUTION



[Link to SIMO Series information](#)

DESIGN PROBLEMS

- May not be optimized design for linear motion
- Multiple component purchase points
- Complex alignment and assembly process
- High labor and overhead costs

PBC LINEAR'S ENGINEERED SOLUTION

- Error proofed, optimized linear motion
- Pre-engineered alignment
- SIMO® precision machined for qualified straight rails
- Lower overall cost with complete assembly
- Significantly reduced assembly time
- Free up your time to focus on other priorities

- IMPROVE LIFE & RELIABILITY
- ENHANCE PERFORMANCE
- REDUCE PART COUNT
- LOWER OVERALL COSTS
- REDUCE RISKS
- STREAMLINE ASSEMBLY

PBC Linear, a Pacific Bearing Company • 6402 East Rockton Road, Roscoe, IL 61073 USA
1-800-962-8979 • www.pbclinear.com

© 2013 PBC Linear®, A Pacific Bearing Company • "PBC Linear" and "PBC Lineartechnik GmbH" are subsidiaries of Pacific Bearing Company ("PBC"). The data and specifications in this publication have been carefully compiled and are believed to be accurate and correct. Specifications are subject to change without notice. It is the responsibility of the user to determine and ensure the suitability of PBC's products for a specific application. PBC's only obligation will be to repair or replace, without charge, any defective components if returned promptly. No liability is assumed beyond such replacement. Other corporate and product names, images, text and logos may be trademarks or copyrights of other companies and are used only for explanation and to the owners benefit; without intent to infringe. This document may not be reproduced, in part or whole, without the prior written authorization of PBC. Consult www.pbclinear.com for the latest technical updates.

LITSIMO-006 4-2013

PBC
LINEAR
A PACIFIC BEARING CO.