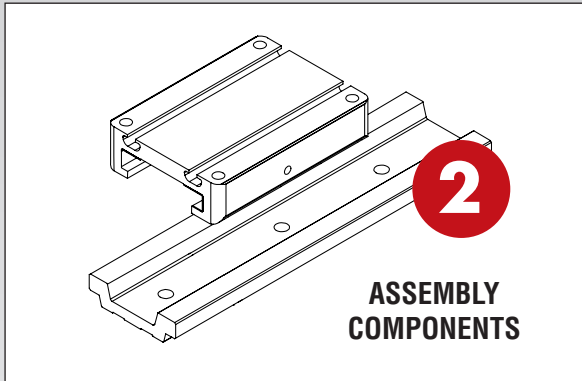


# The Simple Advantage . . .

# Uni-guide™

LOW PROFILE

## **NEW** Low Profile (UGA)



The Low Profile Uni-Guide from PBC Linear is the latest solution for smooth and quiet linear motion in compact spaces. The UGA's simple two-piece design reduces parts, simplifies assembly and provides quick integration over a component-based system.

### **INSTALLATION STEPS\***

1. Drill/tap holes in mounting surface to match the UGA mounting pattern
2. Fasten UGA rail to mounting surface

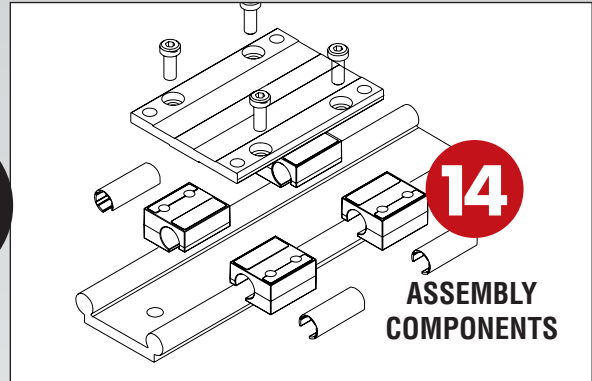
### **BILL OF MATERIAL** (1m long)

Qty	Description	Cost
16	Fasteners	8.00
1	UGA Assembly	64.00
30 minutes of labor to assemble @ \$35.00/hr		17.50

**TOTAL PROJECT COST \$89.50**  
**SAVE UP TO 40%**

**VS.**

## Modular Guide (DFG)



### **INSTALLATION STEPS\***

1. Drill/tap holes in mounting surface to match the DFG mounting pattern
2. Fasten DFG rail to surface
3. Install and align carriages (4) to rail
4. Install carriage plate over carriages and fasten mounting screws while applying specified downward force to carriage
5. Test for alignment and performance by moving carriage assembly over entire length looking for smooth motion (no binding)
6. Loosen fasteners and repeat steps 4-8, if necessary.

### **BILL OF MATERIAL** (1m long)

Qty	Description	Cost
16	Fasteners	8.00
1	DFG Assembly	85.00
1 hour of labor to assemble @ \$35.00/hr		35.00

**TOTAL PROJECT COST \$128.00**

\*Benchmark Application Requirements: 100 lbs. of load, 1 meter travel.

Product information available at [uniguide.pbclinear.com](http://uniguide.pbclinear.com)  
For technical & application information call **1-800-962-8979**

The data and specifications in this publication have been carefully compiled and are believed to be accurate and correct. However, it is the responsibility of the user to determine and ensure the suitability of PBC Linear™ products for a specific application. PBC Linear™ only obligation will be to repair or replace without charge, any defective components if returned promptly. No liability is assumed beyond such replacement. Specifications are subject to change without notice. LITGST-007 10.10

**PBC**  
**LINEAR**  
A PACIFIC BEARING CO.