

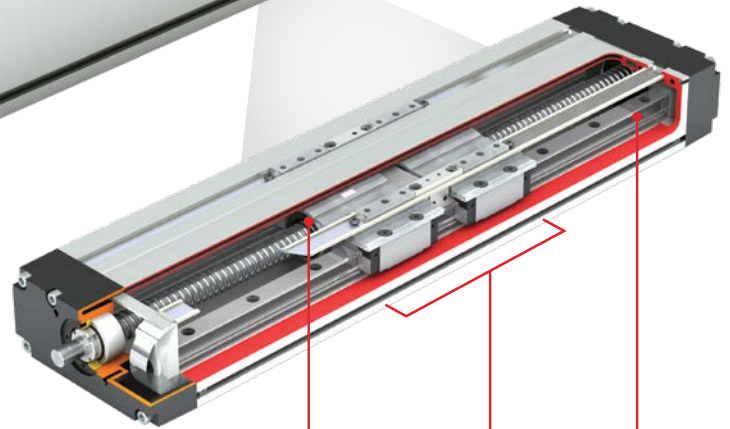
MUK SERIES

Screw Driven Linear Actuator



Features and Benefits

- Incorporates two 20 mm recirculating ball profile rail guideways
- Load capabilities up to 11200 N
- Single or dual carriage options available
- Class 7 (52 $\mu\text{m}/300\text{ mm}$) travel accuracy ball screw is standard, consult factory for other options
- Compact aluminum profile incorporates t-slots for easy sensor mounting



Ball screw driven

Dual carriage configuration shown, equipped with four profile rail bearing blocks

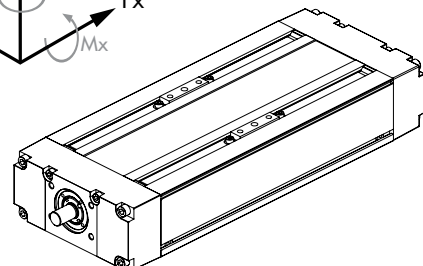
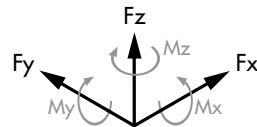
Incorporates two parallel 20 mm recirculating ball profile rail guideways

Technical Data

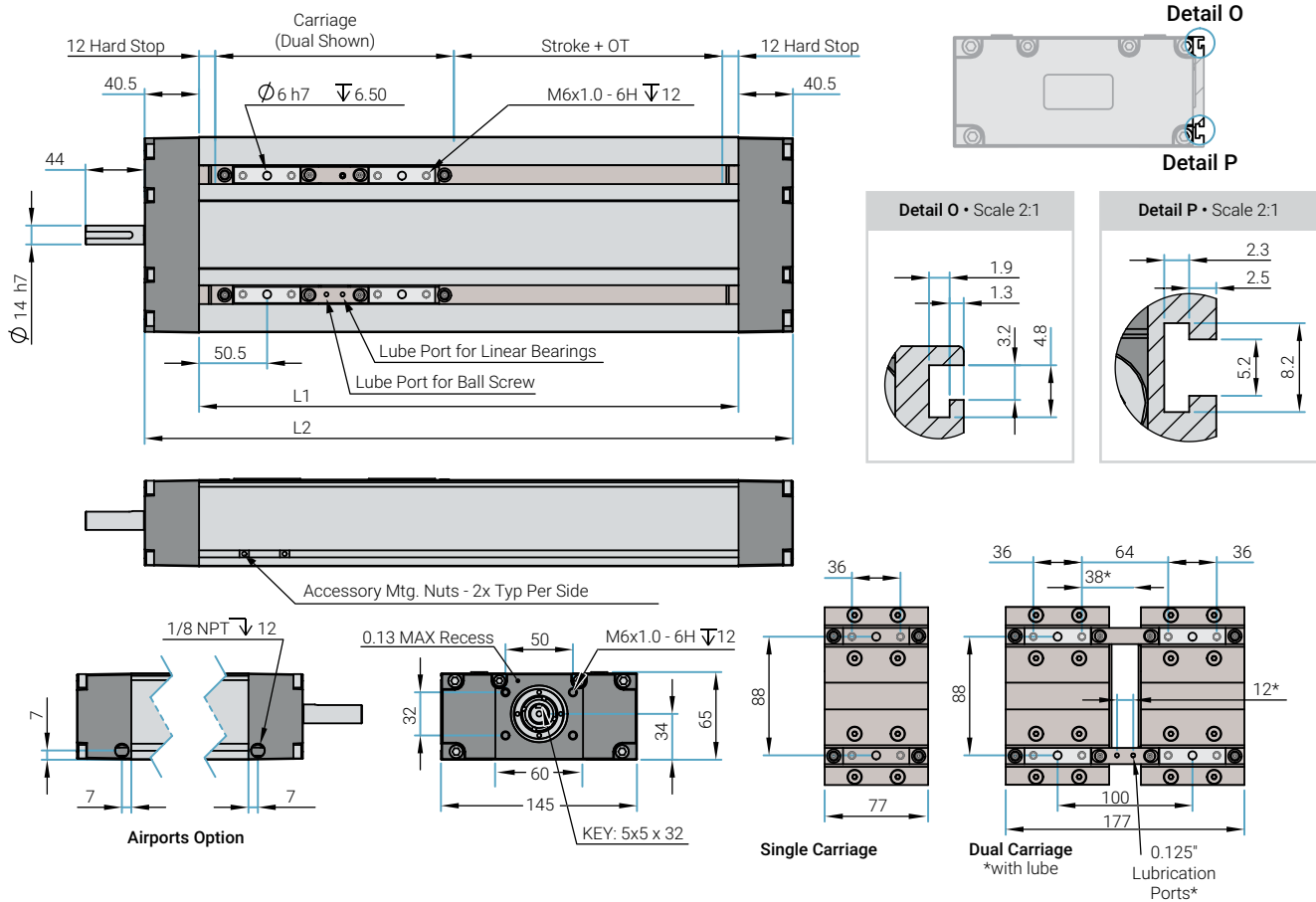
Size		MUK65-1 Single Carriage			MUK65-2 Dual Carriage			
Carriages		1			2			
Max Body Length	mm	1750*			1750*			
Min Body Length	mm	150			250			
Lead	mm	5	10	20	5	10	20	
Screw Diameter	mm	20			20			
Base Weight	kg	2.8			4.1			
Add per 100 mm	kg	0.75			0.75			
Inertia Moment	lx	90			90			
	ly	687			687			
Max Load	fx	n	3597	2996	1798	3597	2996	1798
	fy	n	8500			11200		
	fz	n	8500			11200		
Max Moments	mx	nm	550			950		
	my	nm	330			1150		
	mz	nm	330			1150		

* Contact factory for lengths between 750–1750 mm.
Consultations available for lengths longer than 1750 mm.

Note: The moments and loads above are maximum values. For further information, contact PBC Linear. Class 7 (52 $\mu\text{m}/300\text{ mm}$) travel accuracy ball screw is standard.



Dimensional information



Dimensions	Single Carriage	Dual Carriage
L1 (Body Length)	Stroke + 77 + 24 ¹ + 40 ²	Stroke + 177 + 24 ¹ + 40 ²
L2	Body Length + 81	

1 = 24 mm hard stop (12 mm each end)
2 = 40 mm recommended over travel

Ordering Information

MUK	65	-	0500	-	20	05	-	1	-	R	A	-	A
Series	Size		Body Length		Screw Diameter	Screw Pitch		Carriages		Screw Type	Shaft Version		Air Ports
MUK	65 x 145		MAX 1750 mm*		020 mm	05 = 5 mm 10 = 10 mm 20 = 20 mm		1 = Single 2 = Dual 3 = Dual + Lube Ports		Rolled Screw with Ball Recirculating	A = Without Key Shaft B = With Key Shaft		0 = None A = Airport

* Contact factory for lengths between 750-1750 mm. Consultations available for lengths longer than 1750 mm.



6402 E. Rockton Rd. Roscoe, Illinois 61073 USA
+1.815.389.5600 • Fax: +1.815.389.5790

Visit pbclinear.com for Product Information and 2D/3D CAD Downloads
Call **1-800-962-8979** for Technical and Application Information

The data and specifications in this publication have been carefully compiled and are believed to be accurate and correct. However, it is the responsibility of the user to determine and ensure the suitability of PBC Linear® products for a specific application. PBC Linear only obligation will be to repair or replace without charge, any defective components if returned promptly. No liability is assumed beyond such replacement. Specifications are subject to change without notice. LITMUK-003 r12 (01-2022)